

User's Manual

Thermal transfer label printer

- Please read this manual before using the printer.
- Please keep this manual so that you may read it at anytime when necessary.

List of Articles:

- Handheld thermal label printer 1 pcs
- Power Adapter 1 set
- User's Manual 1 pcs
- Warranty card 1 pcs
- Label cassette Ribbon 1 pcs
- AAA alkaline battery 6 pcs

Introduction

Thanks for choosing our handheld thermal label printer 810. Please read this manual carefully before using the printer to make sure normal working. And keep this manual so that you may read it at anytime when necessary.

- Please be noted that the documentation will be subject to change in the future without notice.
- Please do not copy or reprint the documentation without permission.
- We are constantly working to produce the highest quality documentation for our products. We welcome your comments or suggestions about our user's manual if you find anything wrong or missing or unclear with it.
- Please kindly understanding we are not responsible for that any damages is made by data loss or data changes, which is caused by failure or batteries expires during use, and any related requirements by the third-party requested.

Safety Precautions

To avoid human damages during use, the user comply with the related notice according to icons showed below.

	Warning: Means must comply, otherwise human get death or hurt badly.
	Note: Means must comply, otherwise human get harm or property damage.

Main icons in this documentation are as below.

- : Warning against danger.
- : Inhibited items.
- : Compulsory action.

Warning:

About Alkaline Batteries

- Please do not do inaccurate handling of the alkaline batteries such as disassemble, charge, heat, short-circuit, otherwise it may result crackle then injure user.
- To avoid short-circuit; please do not remove the alkaline batteries using metal object like needle.

About AC Power Adapter

- The original AC power adapter is only allowed to use, otherwise it may result failure, fire, and electric shock.
- Please don't damage or reprocesses the power supply wire, and please do not put heavy objects such as furniture on it, don't be overly bent or stretched the power supply wire, otherwise it may cause fire, electric shock.
- Please don't touch the AC power adapter and power plug with wet hands, otherwise it may result electric shock.

When blockage into the printer

- Please shut off the printer at once when see blockage into the printer, remove the alkaline batteries, or disconnect from power outlet. And then please contact the agency from which you bought. It may result fire or electric shock or failure if continue using.

Do not allow the printer to get wet

- Take care not to spill any liquids like coffee, juice, water on the printer; otherwise it may result failure, fire, and electric shock. If get wet, please shut off the power at once, remove the alkaline batteries, or disconnect from power outlet. And then please contact the agency from which you bought.

Do not disassemble or modify the printer privately

- It's not allowed to disassemble or modify privately, otherwise it may result failure, fire, and electric shock. Please turn to the agency from which you bought to handle with it when any inspection or testing or repair of the printer necessary. (Any failure caused by disassembling or modifying privately, user needs to pay the maintenance fees even during warranty period)

Please avoid falling off or hitting the printer

- Please avoid falling off or treading on the printer or hitting it, otherwise it may cause damage to the printer, to continue using may cause fire, electric shock if this happens. Please shut off the power at once, remove the alkaline batteries, or disconnect from power outlet when the printer is damaged. And then please contact the agency from which you bought.

Please stop using the printer during abnormal situation

- Please stop using the printer when see smoking or smell abnormal, otherwise it may result failure, fire, electric shock. Please shut off the power at once, remove the alkaline batteries, or disconnect from power outlet if this happens. And then please contact the agency from which you bought. It's not allowed to fix the printer privately as it's dangerous to user.

Please do not cover on head with plastic bag

- To avoid children to play with plastic bag which pack the printer to cover on their head, please store the plastic bag out of the reach of children or throw it away. It may result the dangerous of smother if cover on head with plastic bag.

Other considerations

- Please do not use the printer in any way or for any purpose not described in this guide, otherwise may result in accidents or failure.
- Please do not pull-up or press excessive pressure to the label cassette ribbon.
- Please do not block the mouth of label cassette or put any foreign objects into it.
- Please do not try to print if the cassette is empty or the ribbon is used up, otherwise the print head may failure.
- Please do not touch the print head.
- Please power off the printer before replacing the batteries.
- Please do not use volatile solvent like diluents or benzene during printer repair & maintenance.
- Please do not use or store the printer in direct sunlight, or close to warmer or air-condition, or in any location exposed to extreme highs or low temperatures, high humidity and dusty locations. It can only be used within 10°C-36°C temperature range.

Note:

About Alkaline Batteries

Inaccurate handling of the alkaline batteries may result leakage or crackle, please thoroughly follow the instructions below.

- Please do not use the combinations of old and new batteries.
- Please do not use the combinations of different type's batteries.
- Please do not insert batteries with its plus and minus ends reversed.
- Please remove the batteries if the printer will not be used for a long period of time.

About Power Adapter

For safety, please disconnect the Power Adapter from power connector and power outlet if the printer will not be used for a long period of time.

About Cutter

Please do not touch the cutter to avoid human hurt.

About storage place

Please do not put the printer in improper place such like on a rickety table or on a high shelf to avoid human hurt if dropped.

About Printer Memory

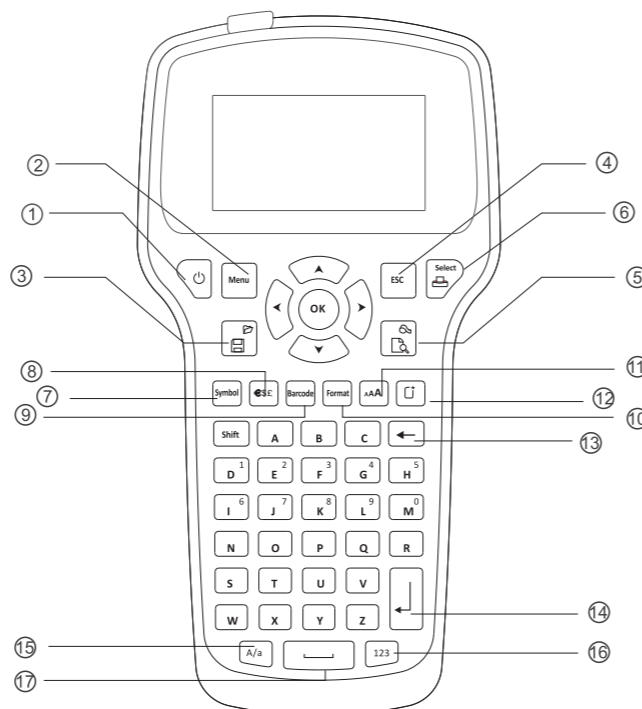
Any data stored in memory will be lost due to failure or repair of the printer or batteries expires.

About Label cassette Ribbon

The label may be discoloration or falling off depending on pasting position, pasting material or the surrounding environment changed. It may happen adhesive residual, or taking with the ribbon color, or difficult to tear off, or ribbon broken situations when tears off label. In consider of pasting position or pasting material or intended use situations, we suggest the user better to label in inconspicuous places advance for testing first.

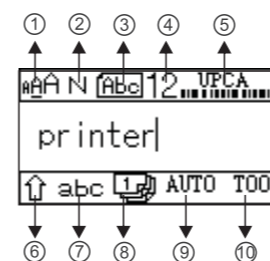
1 Preparation

1.1 Keystroke introduction



01. Turn on/ Turn off
02. Menu, including print select, File manage
03. Save a label file, shift+ → Open saved label files
04. Return back
05. Preview the printing width, shift+ → Label feed
06. Print the label, shift+ → print select, including copy or sequence
07. Insert the symbols
08. Insert the currency symbols
09. Insert the barcodes
010. Set label type, including font size, print direction, font style, frame, template, label length.
11. Set font size
12. Delete text
13. Backspace
14. Enter
15. Upper case/lower case
16. Number key
- 17.Space

1.2 LCD display

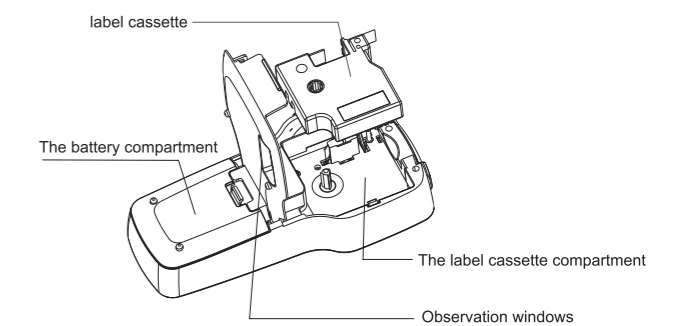


04. Frame number: 00-17
06. Shift key State
08. Label file number and state
10. Template number

01. Font size
02. Font style: normal - **N** bold - **B** italic- *I*
03. Print direction: horizontal- vertical- horizontal mirror- vertical mirror -

05. Barcode mode
07. Input State: ABC/abc/123
09. Print length

1.3 Installing label cassette



Ribbon width available: 6mm/9mm/12mm

1. Make sure the ribbon is taut with no curl situation and the label passes between the label guides. If not, turn the ribbon rewind spool 1-2times to tighten the ribbon.
2. Turn the printer over, buckle the embossment on the top of the printer and gently open the label cassette compartment cover.
3. Insert the cartridge with the label and ribbon positioned between the label guides, press on the cassette until the cassette snaps into place.

1.4 Installing the battery

The AAA alkaline battery is only allowed to use. Make sure that the power is turned off when replacing batteries.

1. Turn the printer over, press the latch and remove the battery compartment cover.
2. If there are batteries installed, remove them first.
3. Insert six new AAA alkaline batteries into the battery compartment according to the installation diagram of the battery compartment inside showing; make sure that their poles point in the correct directions.
4. Replace the battery compartment cover and make sure completely covered.

