

TD80 Thermal Receipt Printer

TD80 Thermal Receipt Printer

User Manual

Contents

| | |
|--|----|
| I. Product Introduction | 1 |
| 1. Safety warning | 1 |
| 2. Main features | 2 |
| II. Precautions | 3 |
| III. Unpack the Printer | 4 |
| IV. Appearance Components | 5 |
| V. Technical Parameters | 6 |
| VI. Printer Installation and Operation | 8 |
| 1. Printer connection method | 8 |
| 2. Installation of paper roll | 9 |
| 3. Buttons and indicator lights | 10 |
| Self test | 11 |
| Factory reset | 11 |
| Cutter jam maintenance | 11 |
| VII. Printer Driver Installation | 18 |
| 1. USB driver installation method | 18 |
| 2. Network installation method | 20 |
| VIII. Printer Cleaning | 22 |

I. Product Introduction

Thank you for purchasing our TD80 Thermal Receipt Printer. This thermal receipt printer provides you with safe, reliable and efficient print quality at a reasonable and economical price. This printer is widely used in the following areas with its super-powerful function and ease of operation:

Application areas

- ※ Receipt printing for electronic cash register POS system
- ※ Receipt printing for electronic funds transfer (EFT) POS system
- ※ Receipt printing for sports events, postal services and civil aviation
- ※ Receipt printing for query and service system
- ※ Data printing for measuring instruments
- ※ Receipt printing for taxation and billing

1. Safety warning

- Do not touch the paper cutting serrations on the front of the printer to prevent lacerations.
- The print head is a heating component. To prevent thermal burns, do not touch the print head and its surrounding components during or immediately after printing! Minors must be supervised by an adult when using the device.
- Do not touch the surface of the print head and the connectors to avoid

damage to the print head due to contact with static electricity.

- The use of printer device in the daily living environment may cause radio interference, so please try to stay away from radio equipment during use.

2. Main features

- High-speed printing at 250mm/s;
- Supports kitchen printing and network printing;
- Supports cash drawer driver;
- Low power consumption and operating cost. Reasonable structure, easy to use and maintain;
- Communication methods include USB, Ethernet, Bluetooth and WIFI;
- Built-in data buffer (data can be received while printing);
- Characters can be enlarged, bolded and underlined for printing, and line spacing and left and right spacing of characters can be adjusted;
- Supports different density bitmap and downloadable graphic printing;
- Supports QR code barcode printing function;
- Compatible with the ESC/POS print instruction set, offering a selectable number of characters per line and font;
- Supports the monitoring of network printing status, multi-connection printing from computers, and advanced drivers;

- Supports multi-language font library.

II. Precautions

Before operating the printer, please read the following contents carefully and follow them strictly.

- The printer should be placed steadily to prevent from vibration and shock.
- Do not use or store the printer in places with high temperature, high humidity, and heavy pollution.
- Connect the printer's power adapter to a suitable grounded socket. Refrain from using the same socket with large motors or other devices that can cause voltage fluctuations in the power supply.
- The printer should be kept away from water or conductive materials (such as metal). In the event of any occurrence, turn off the power immediately.
- The printer must not print in no paper state, as this will seriously damage the printer rubber rollers and the thermal print head.
- If you do not use the printer for a long time, disconnect the printer's power adapter.
- The user shall not disassemble the printer for maintenance or

modification without authorization.

- Only use the included dedicated power adapter.
- To guarantee print quality and extend product lifespan, it is advisable to use the recommended printing paper of equal quality.
- When unplugging and plugging the printer's power cord, make sure to power off the printer and hold the printer's power connector correctly at the arrow (do not hold the flexible cord of the power cord for plugging or unplugging).

Please keep this manual in a safe place for reference.

III. Unpack the Printer

Check accessories:

1 User Manual

1 Certificate of Conformity

1 printer body

1 USB Type-B data cable

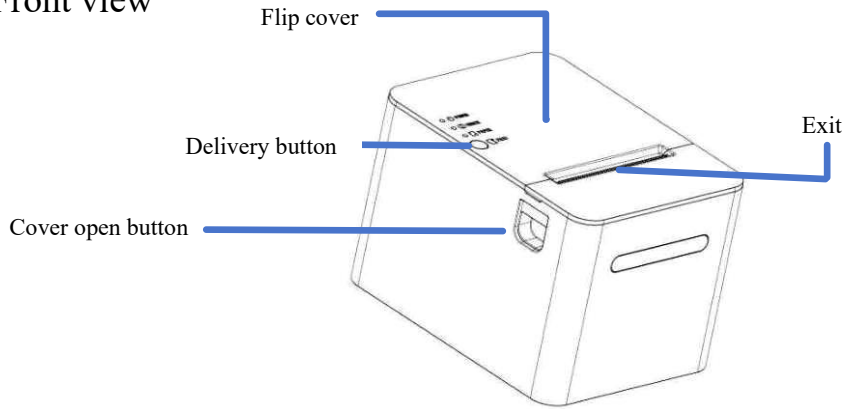
1 set of dedicated power adapter

1 roll of thermal receipt paper for testing

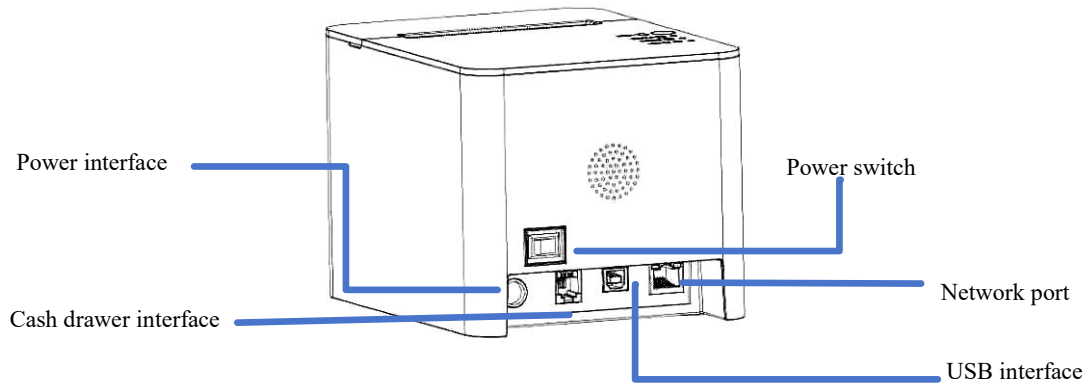
IV. Appearance Components

TD80 Thermal Receipt Printer

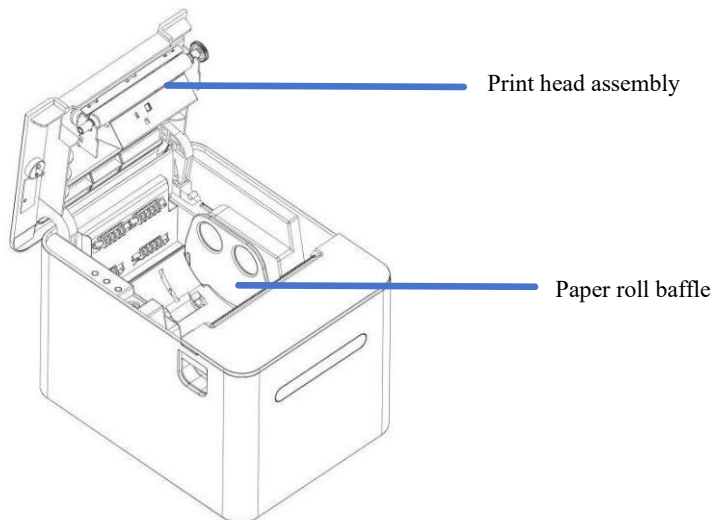
Front view



Rear view



Inside view



V. Technical Parameters

| Print parameters | |
|---------------------------|--|
| Model | TD80 |
| Print method | Line thermal printing |
| Print command | Compatible with ESC/POS commands |
| Print speed | 250mm/s (max) |
| Effective resolution | 203dpi |
| Print paper thickness | 0.06-0.08 mm |
| Maximum print width | 72 mm |
| Reliability | The print head has a lifespan of 150km, while the cutter can be used for up to 1.5 million times |
| Communication interface | USB + network port/Bluetooth/WiFi |
| Sensor | Cover opening sensor / Paper detection sensor |
| Memory | FLASH:8M SDRAM:224K |
| Printing character | |
| Character size | ASCII: Font A: 12×24 dot Font B: 9×17 dot Chinese/Japanese/Korean: 24×24 dot Extended character table: 12 x 24 dot |
| Character set | GB18030 ASCII (standard configuration) |
| Extended character | PC347(Standard Europe), Katakana, PC850(Mu |

| | |
|-----------------------------------|--|
| set | ltilingual), PC860(Portuguese), PC863(Canadian-French), PC865(Nordic), West Europe, Greek, Hebrew, East Europe, Iran, WPC1252, PC866(Cyrillic#2), PC852(Latin2), PC858, IranII, Latvian, Arabic, PT151(1251), Thai |
| Barcode specifications | 1D Barcode: UPC-A / UPC-E / JAN13(EAN13) / JAN8(EAN8) / CODE39 / ITF / CODABAR / CODE93 / CODE128 2D barcode: QR Code |
| Power supply | |
| Adapter voltage input | AC 110V/220V,50~60Hz |
| Printer input voltage | DC 24V/1.5A |
| Cash drawer control | DC 24V/1A |
| Environmental requirements | |
| Storage environment | Temperature range: -10°C~60°C Relative humidity range: 10%~90%RH without condensation Atmospheric pressure: 86~106kpa Altitude: 1500m |
| Working environment | Temperature range: 0°C~45°C Relative humidity range: 10%~80%RH without condensation |

| | |
|------|--|
| | Atmospheric pressure: 86~106kpa Altitude: 1500m |
| Size | 175mm*136mm*126mm |

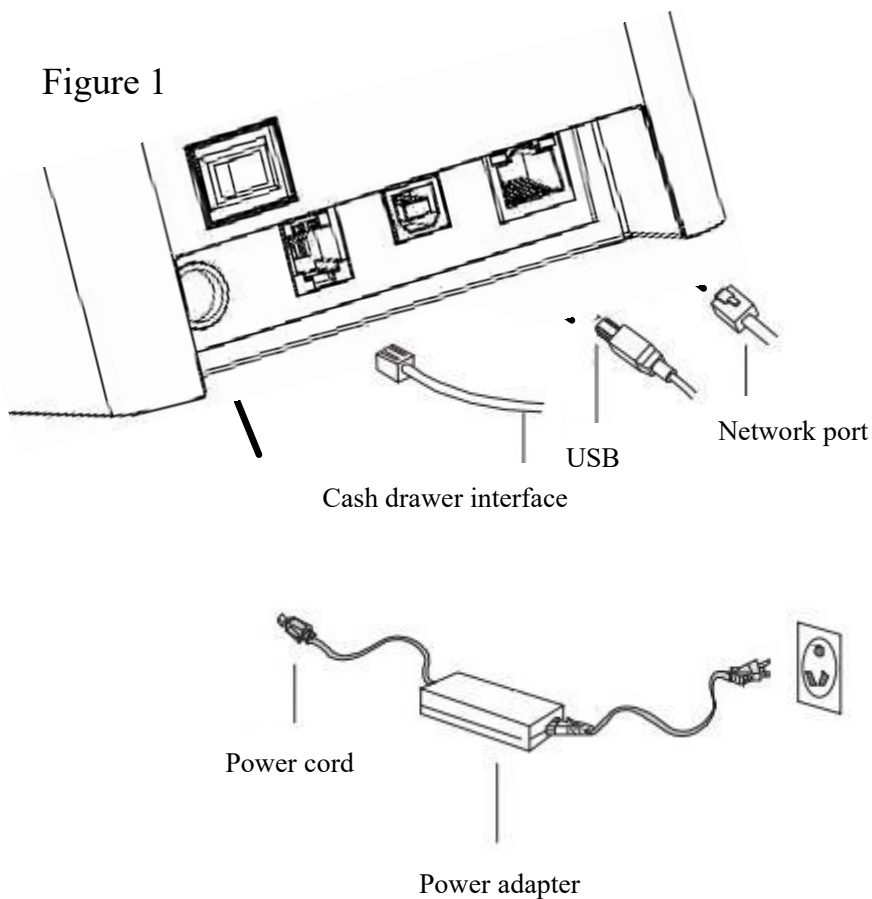
VI. Printer Installation and Operation

1. Printer connection method

Figure 1: USB + network port;

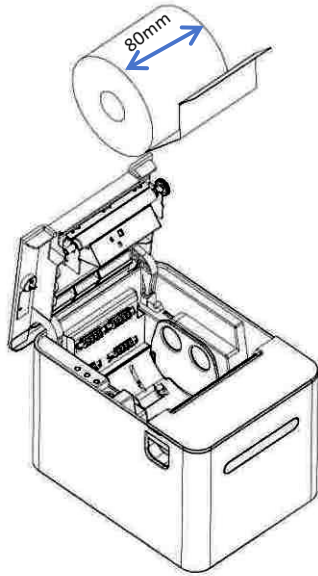
- a. Connect the adapter cable to the power interface of the printer.
- b. Connect the interface cable to the interface on the back of the printer.
- c. Connect the cash drawer cable to the cash drawer interface on the back of the printer.

Figure 1

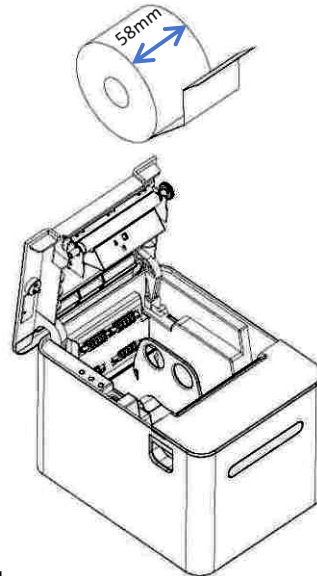


2. Installation of paper roll

The printer can use paper rolls of the following two widths.



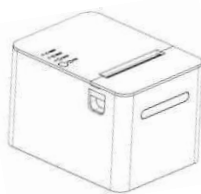
The installation position of the 80mm paper roll baffle is shown in the figure



The installation position of the 58mm paper roll baffle is shown in the figure

- a. Open the printer's top cover in the direction of the following icons.
- b. Install the paper roll in the direction of the following icons, paying attention to the direction of the paper.
- c. Pull out a section of paper to the device's exterior in the direction of the following icons and close the cover.
- d. Close the top cover, press the middle part of the printer cover, press it slightly to avoid misalignment of the paper roll, and use the machine's blade to cut off excess paper roll.

Note: When installing the 58mm paper roll, first install the 58 mm wide roll paper guide to the right side.



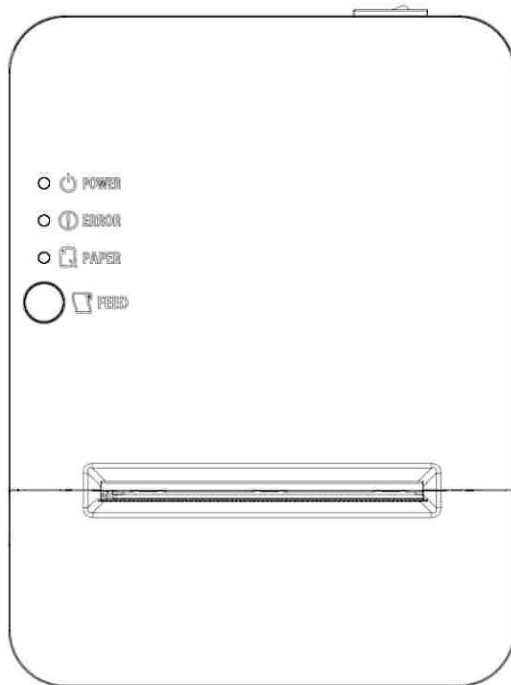
1

Page 9 c



2

3. Buttons and indicator lights



POWER.....Power Light
ERROR.....Error Light
PAPER.....Paper Light
FEED.....FEED Button

a. [Feed] Button (Feed)

Press this button to feed paper. If you keep pressing this button, the paper will be fed continuously.

b. [Paper] Light (Paper)

When this light and the Error light are on and the buzzer beeps twice, it means the printer has run out of paper; when this light and the Error light are off, it means the printer has paper in it; when this light is on and the ERROR light is off, it means the printer is about to run out of paper.

c. [Power] Light (Power)

When this light is on, it means the printer is powered on; when it is off, it means the printer is powered off.

d. [Error] Light (Error)

When the printer has run out of paper, cutter error, cover opening error, print head overheating, etc., the error light flashes and the buzzer beeps.

The alarm can be controlled according to the user's needs.

Self test

After connecting the printer, power it off, then press and hold the FEED button while powering it on, and the printer will automatically print a self-check page and stop once printing is complete.

Factory reset

After the printer is booted and initialized, press and hold the FEED Button for at least 8s. It will print the words "Factory Settings Restored Successfully" and then stop.

Cutter jam maintenance

a. Press the On/Off button to turn off the power and then turn it back on so that the printer initializes to return the cutter again.

b. Turn the gear on the print head cutter, the cutter can return to its initial position. Open the flip cover and reinstall it to print normally.

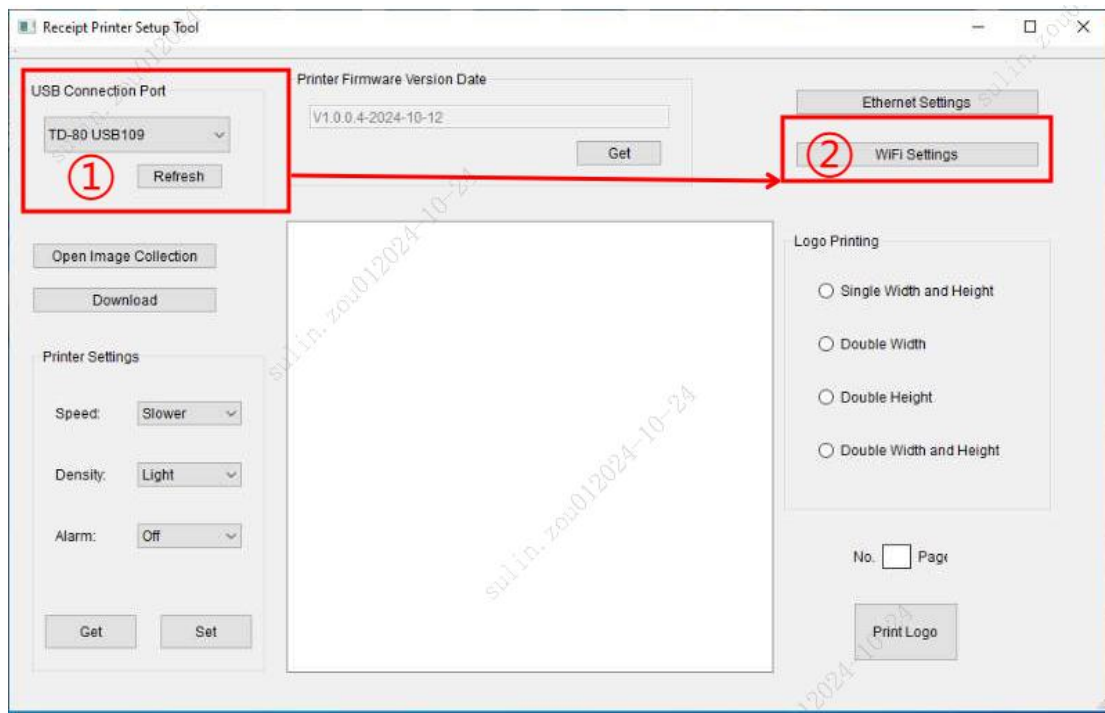
⚠ Note: Do not force the flip cover open to avoid damaging the print head and automatic paper cutter.

4. WIFI connection Settings

Configure Windows WiFi as follows:

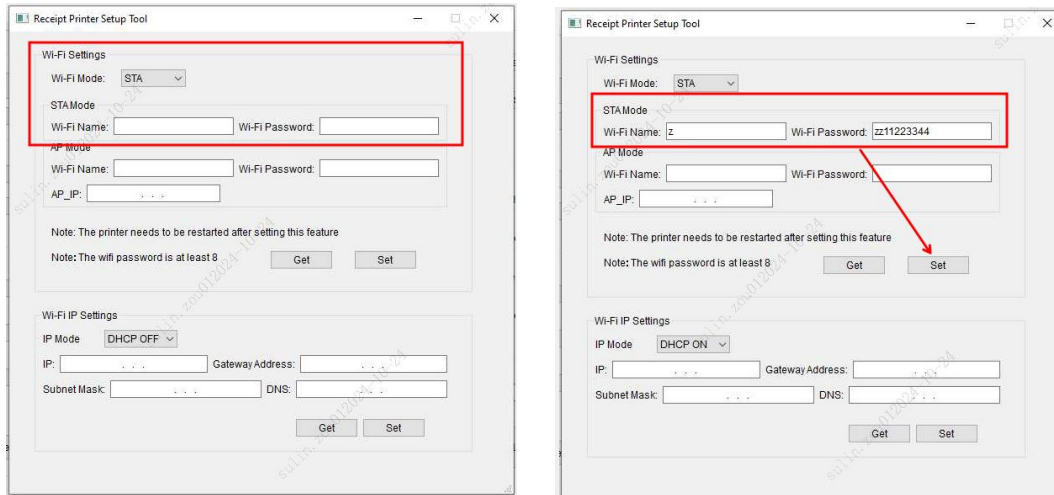
① Use the power cord to power on the printer, and use the USB cable to connect the printer and the PC;

② Open the Receipt Printer setting tool (windows_80_setting.exe) on the PC, and after connecting the printer to the setting tool, select "WiFi Setting" in the setting tool, as shown in the following picture:

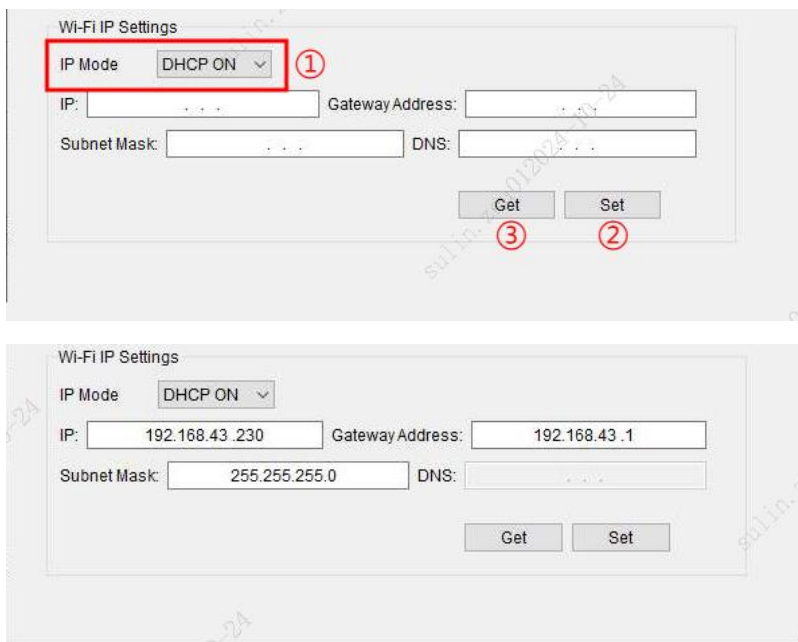


③ STA Mode:

a. In the "STA mode", enter the external WiFi name (such as router, mobile phone hotspot, etc.) and password, the setting is successful, click "get" WiFi name and password, consistent with Figure 1;



b. In "WiFi_IP Settings", select "DHCP ON", click "Settings", and then click "Obtain" to obtain IP information (as shown in Figure 2).



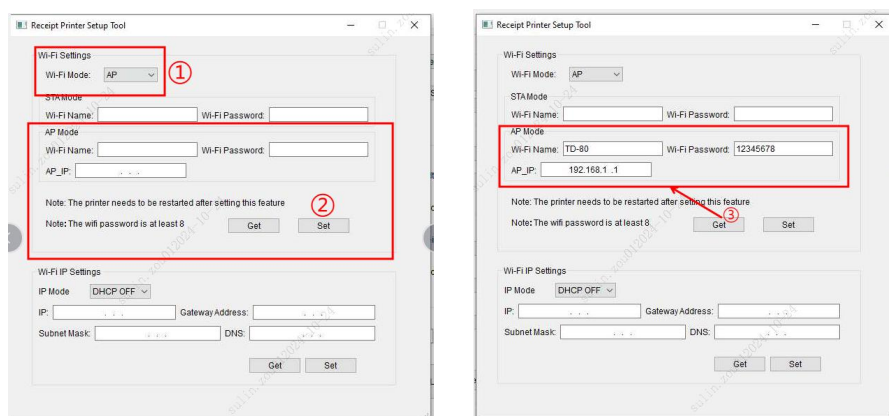
Note: In DHCP ON mode, the printer cannot be restarted to print the self-test page.

c. Complete the preceding steps. You can print the self-test page to query the IP address.

④ In AP mode, you can directly connect to the printer hotspot without

the need for a network.

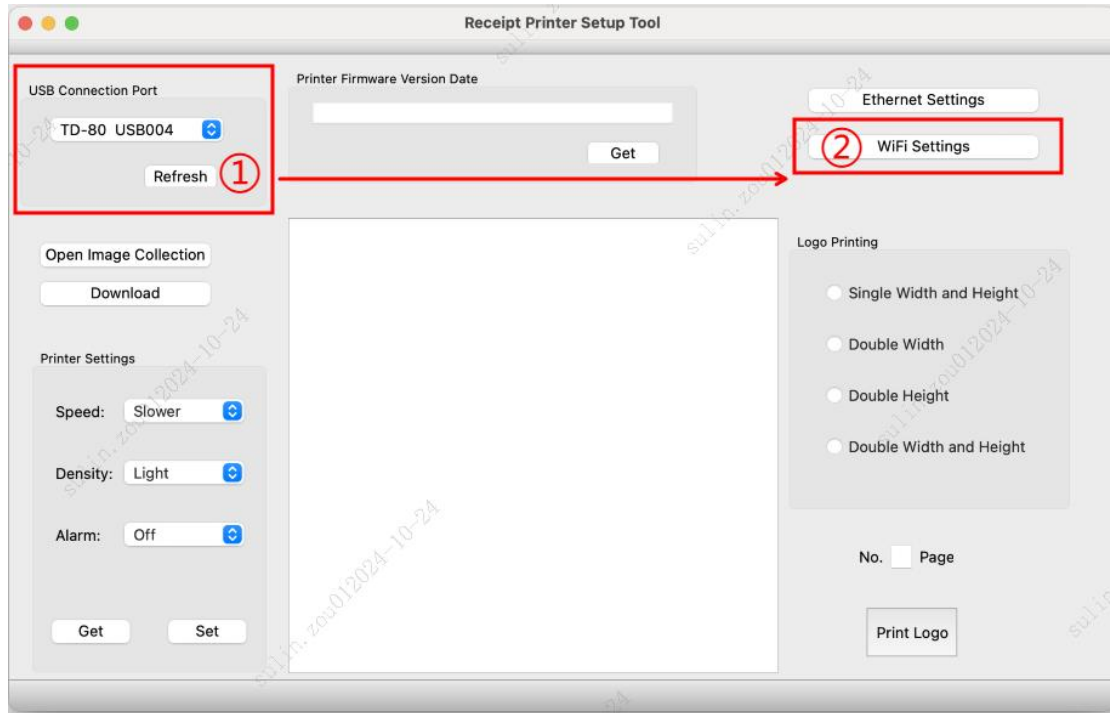
- a. In "WiFi Settings" - "WiFi Mode", switch to "AP" and click "Settings";
- b. After successful setting, click "Obtain" to obtain the AP-IP address (as shown in Figure 3);



- c. After the preceding steps are complete, restart the printer and print the self-test page to obtain the IP address.

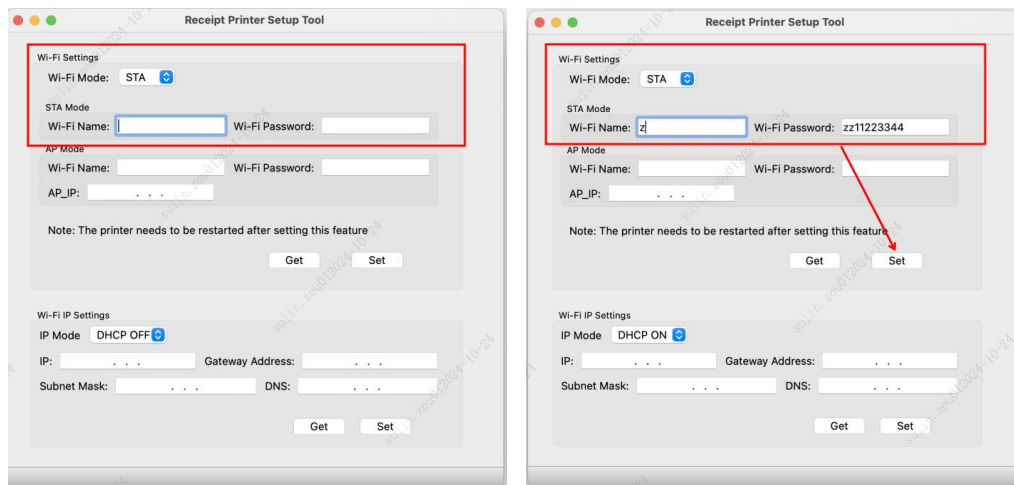
The MAC WiFi configuration method is as follows:

- ① Use the power cord to power on the printer, and use the USB cable to connect the printer and the PC;
- ② Open the Receipt Printer setting tool (MAC_80_setting) on the PC side, and after connecting the printer to the setting tool, select "WiFi setting" in the setting tool, as shown in the following picture:

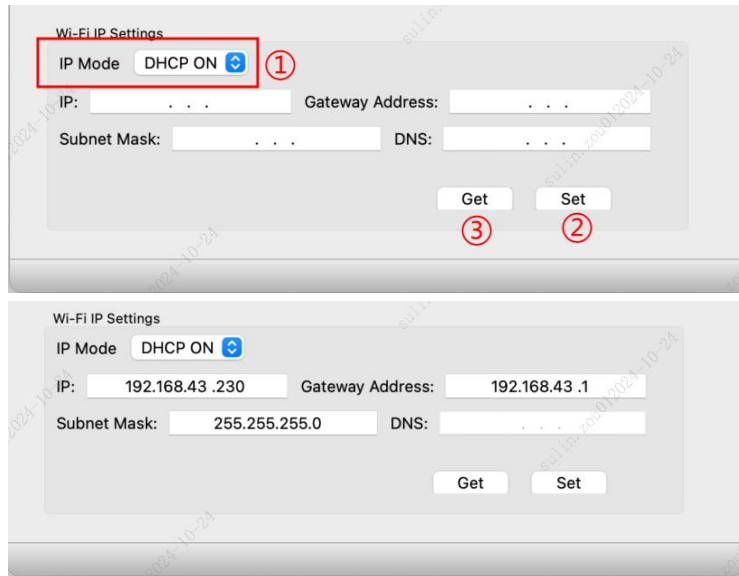


③ STA Mode:

- a. In "STA Mode", enter the external WiFi name (such as router, mobile phone hotspot, etc.) and password, the setting is successful, click "get" WiFi name and password, consistent with Figure 4;



- b. In "WiFi_IP Settings", select "DHCP ON", click "Settings", and then click "Obtain" to obtain IP information (as shown in Figure 5).



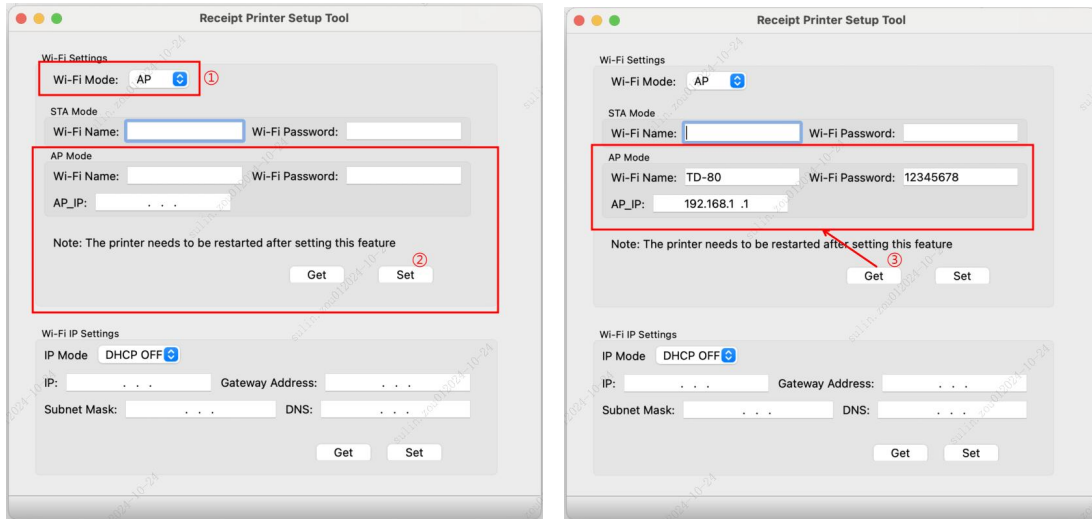
Note: In DHCP ON mode, the printer cannot be restarted to print the self-test page.

c. Complete the preceding steps. You can print the self-test page to query the IP address.

④ In AP mode, you can directly connect to the printer hotspot without the need for a network.

a. In "WiFi Settings" - "WiFi Mode", switch to "AP" and click "Settings";

b. After successful setting, click "Obtain" to obtain the AP-IP address (as shown in Figure 6);



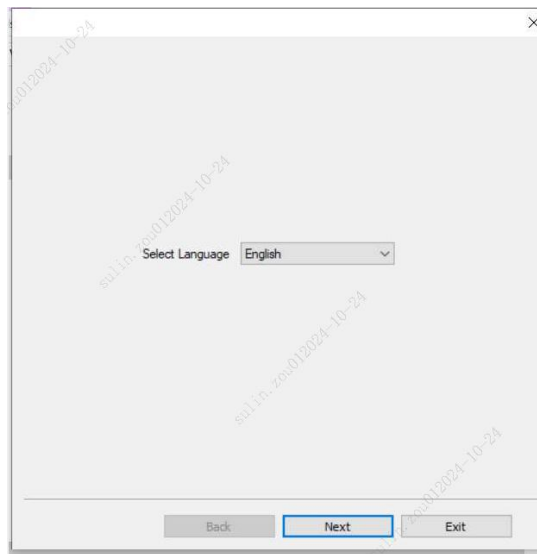
c. After the preceding steps are complete, restart the printer and print the self-check page to obtain the IP address.

VII. Printer Driver Installation

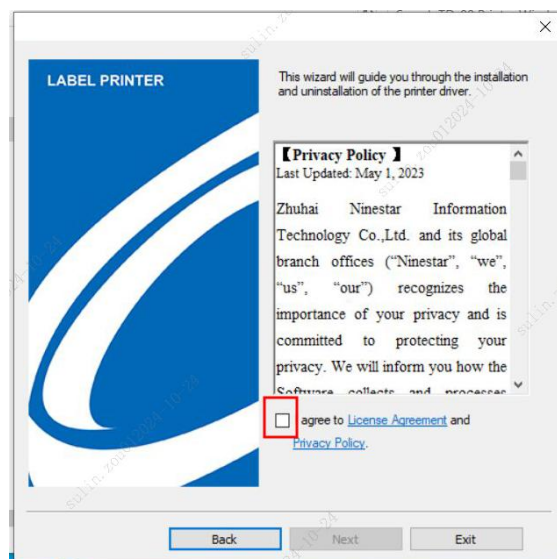
1. USB driver installation method

a. Open the location where the driver is stored, double-click to install.

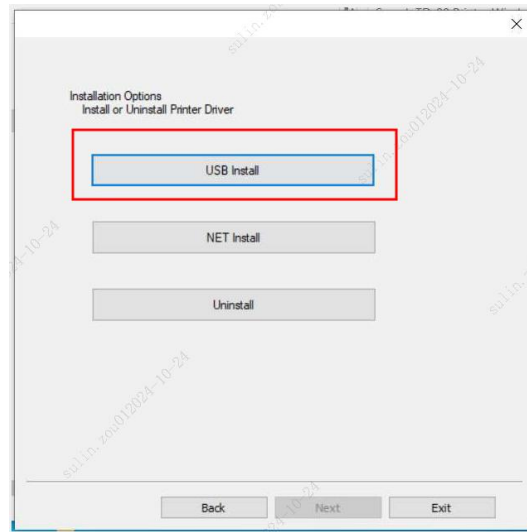
Select the language mode, and click Next;



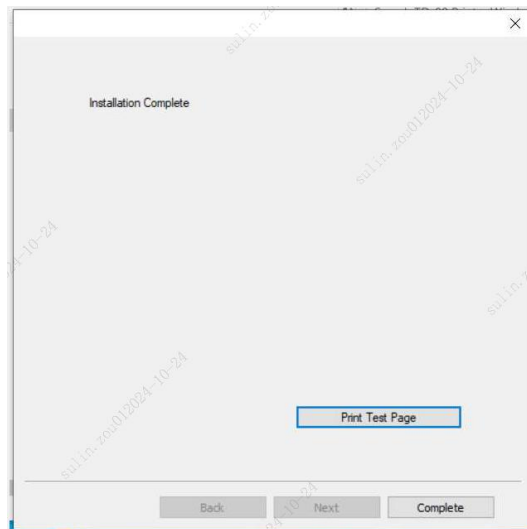
b. Check I Agree and click Next;



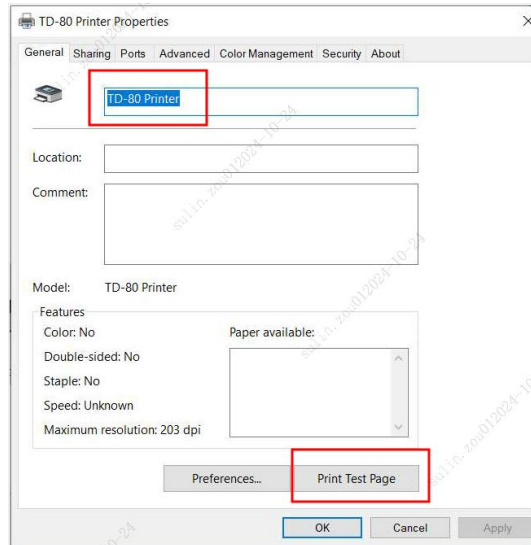
c. Select the USB installation method and wait for download;



d. After the installation is complete, you can print a self-test page to test;



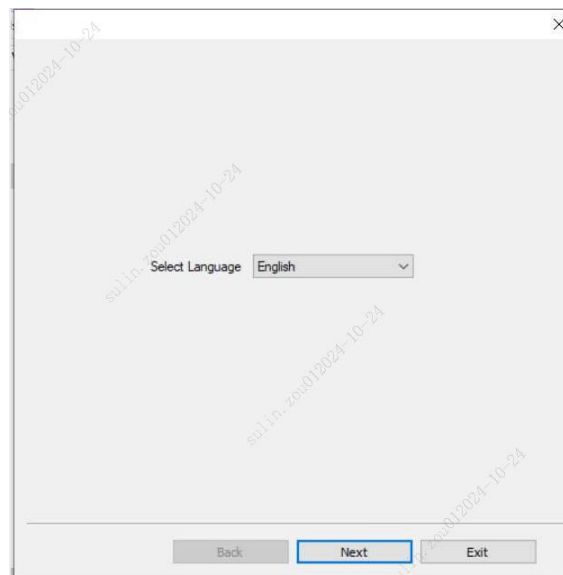
e. Select General and click Print Test Page. If the test page appears, it means the driver has been installed.



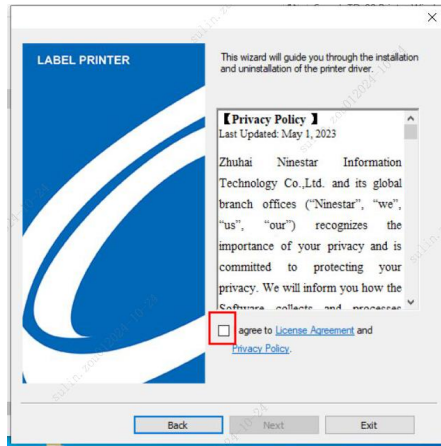
2. Network installation method

a. Open the location where the driver is stored, double-click to install.

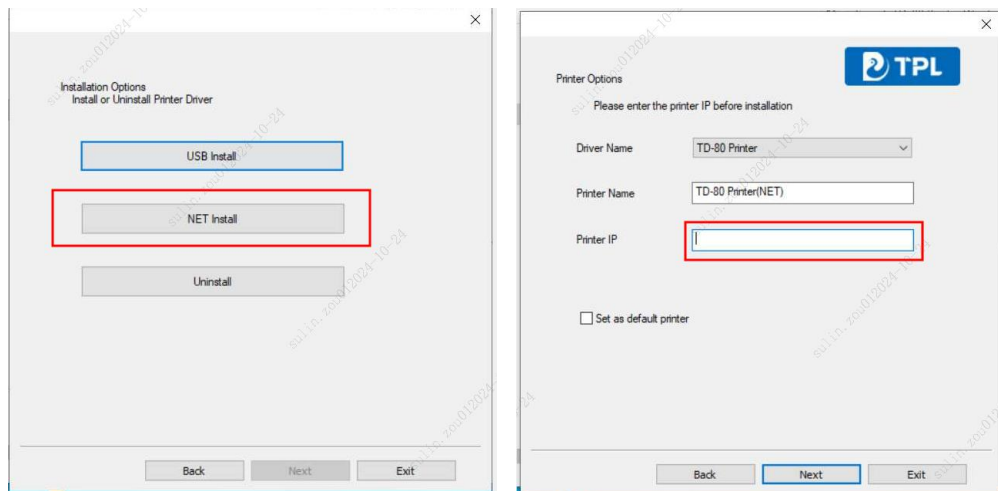
Select the language mode, and click Next;



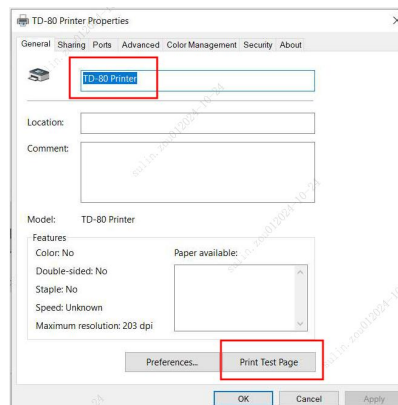
b. Check I Agree and click Next;



c. Select the network installation method, enter the IP address of the printer, select Next and wait for download;



d. Select General and click Print Test Page. If the test page appears, it means the driver has been installed.



VIII. Printer Cleaning

The print head should be cleaned when one of the following conditions occurs in the printer;

- (1) Printing is not clear;
- (2) A column of the printed page is not clear;
- (3) The paper feeding noise is loud.

The steps for cleaning the print head are as follows:

- (1) Turn off the printer, open the top cover, and remove the paper if there is any;
- (2) If printing has just been completed, wait for the print head to cool completely;
- (3) Use a soft cotton cloth moistened with anhydrous ethanol (should be wrung out) to wipe off the dust and stains on the surface of the thermal sensitive film of the print head;

△Notes:

- The printer must be powered off during routine maintenance.
- Do not touch the surface of the print head with your hands or metal objects, and do not use tools such as tweezers to scratch the surface of the print head, the print roller, or the sensor.
- Organic solvents such as gasoline and acetone shall not be used.
- Ensure that the anhydrous ethanol has fully evaporated before turning

on the power to continue printing.