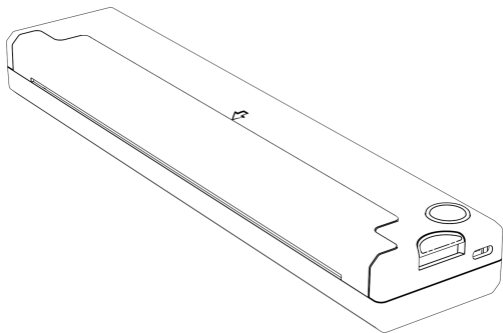


# Portable Bluetooth Printer

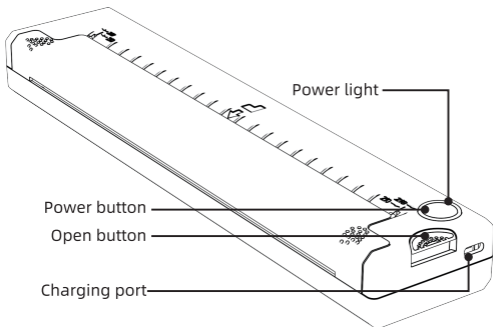


Instruction Manual

## 1. Product information

Product name	Portable Bluetooth Printer
Product number	A41
Product weight	475g
Product size	265mm*58mm*30mm
Print type	Thermal printing
Input voltage	DC 5V/2A
Battery capacity	2000mah(7.4V)
Automatic shut-down	30min
Standby time	About 30 days
Charging time	About 1.30H
Continuous printing	90 sheets of tattoo printing paper
Paper width specifications	210mm or 218mm
Charging port	Type-C

## 2. Product structure



### 3. Product packing list



Printer host\*1



Power data cable\*1



Manual\*1

### 4. Application installation

#### APP download method

- ① Apple users: In the AppStore, search for [Tattoo Print ] to download the APP;
- ② Android users: Search for [Tattoo Print ] in each app store to download the APP.

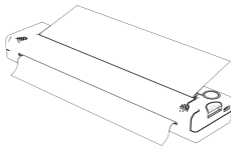


### 5. Switch machine

**Power on:** Press and hold the power button for 2S until the indicator light is on.

**Shutdown:** Press and hold the power button for 2S until the indicator light goes out.

### 6. Paper feeding operation

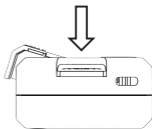
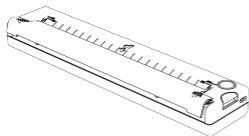


Direction identification of tattoo printing paper

※ Put the yellow side up and the white side down into the input port of the printer neatly, and the printing paper will be sucked in automatically.

### 7. Paper jam, abnormal handling and cleaning

As shown in the figure: press the cover opening button to open the flip cover assembly and rotate at a certain angle



## 8. Connect application

After the device is turned on, open the APP, click the "Not Connected" button in the upper right corner, enter the "Add Device" list, click the device to connect to Bluetooth, and then print.

**Tips:** When connecting, please make sure that the Bluetooth of the mobile phone is turned on, and the device is close to the mobile phone.

## 9. Paper type

It is recommended to use special printing paper for tattoos. Non-special printing paper may not be environmentally friendly, cause paper jams or inaccurate reading of paper feeding, and easily cause printing to be skewed.

## 10. Frequently Asked Questions

**Q:** When the APP adds a device, no connectable device is found?

**A:** Please check whether the device is turned on to ensure that the Bluetooth is working.

**Q:** The device cannot print, what should I do?

**A:** ① Confirm whether the Bluetooth of the mobile phone is turned on, and rule out the possibility of others connecting to this device.

② Check if the tattoo printer is jammed.

③ Whether the print head is overheated, if it is overheated, please wait for the print head to cool down before trying to print.

**Q:** Why are all the printed pages blank with no content?

**A:** It may be caused by incorrect installation of the printing paper. Please refer to the introduction of replacing the printing paper to reinstall it.

**Q:** Why is the printed word faded?

**A:** ① Please check if the device is low on battery.

② Check if the print head is full of dirt, please wipe it gently with a cloth dampened with alcohol.

## 11. Safety and Precautions

- Do not charge or use the printer in high temperature, humid or dusty places.
- Please use 5V 2A input to charge, you can use mobile phone power adapter to charge.
- After printing, do not touch the print head directly to prevent overheating and scalding.
- Please insert or pull out the charging cable gently to avoid damage to the interface due to excessive force.
- Improper charging may cause print head damage.
- Unplug the charging cable in time after charging is completed.
- Place the machine on a firm and stable level to prevent the machine from slipping and being damaged.
- When not using the machine for a long time, please turn off the power of the machine.
- Prevent foreign matter from entering the machine, so as not to cause malfunction or other risks.